



**Caution:** « Chlorite » MODUPAC built-in only 2 relays outputs and 2 analogues outputs. Functions of each output must be defined during the programming task. All the possibilities of module could not be used until all outputs are affected.

c) Programming protocols:



See the annex document: « MODUPAC General programming synoptic»



**Caution:** Repairs must be done by a qualified technician and must be sent in our customer service.



**Recycled products:** Paper and carton boxes must be recycled according to standards.



**WEEE directives:** Electricals parts must be forwarded us to perform recycling process according to 2002/96/CE European directives and to the management of the electric and electronic wastes (WEEE).

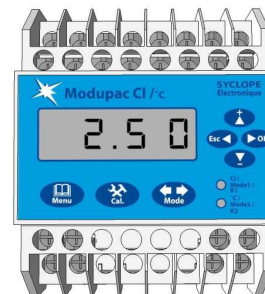


In case of troubles, call our customer service.

SYCLOPE Electronique S.A. (Headquarter)  
Z.I. Aérople Pyrénées  
Rue du Bruscos  
64 230 SAUVAGNON  
FRANCE  
Phone : (33) 05 59 33 70 36  
Fax : (33) 05 59 33 70 37  
Email : [service-technique@syclope.fr](mailto:service-technique@syclope.fr)

© 2004 by SYCLOPE Electronique S.A.  
Subject to modifications.

## MODUPAC « Chlorite » 4...20mA Chlorite (CLO2-) acquisitions Module for standard DIN 4U rails



Power supply: 24 Volts DC Power: 3Watts max with « Power » module  
**Input 1:** 4...20mA Chlorite according to measurement cell type.  
Measurement ranges: 0-0,5 ppm, 0-2 ppm  
**Input 2:** pT100 temperature probe  
Measurement range: 0 to 100°C (For other values contact us)  
2 programmable discrete relays outputs Max: 48V@1A  
2 programmable analogues outputs (Regulations or data transfer "BMS")  
1 RS485 communication output connection with « COMT » module  
1 discrete input for distant remote or flow sensor.



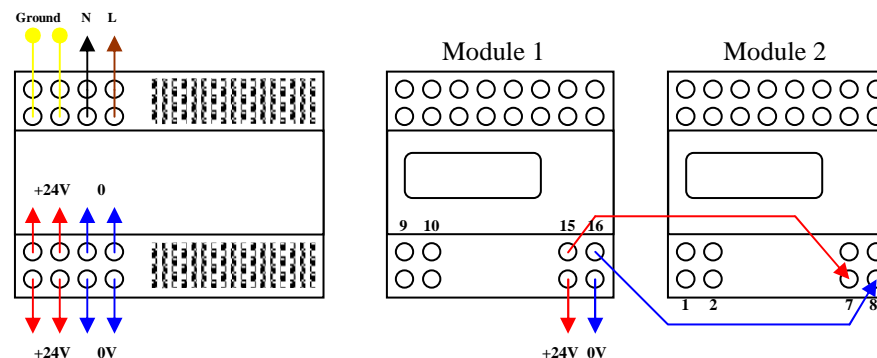
**Note:** It is essential to use 24V DC 1,5 A MODUPAC "Power" module in order to insure the correct operation of "Chlorite" module and to preserve the galvanic isolation of the equipments.

### 1: Connecting / Supplies:

a) 230Volts 50Hz and 24Volts DC chain supplies connecting.



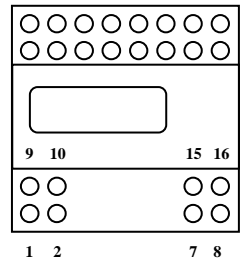
**Caution:** « MODUPAC Power » power module must be installed according to applicable standards. It must be protect by a thermal circuit breaker or a fuse.



Maximal number of modules chained with « MODUPAC Power » module is finding out by maximal consumption of each acquisition module.

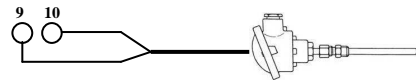
Ex: Power supply MODUPAC « Power » Ref: **MAL0000**: 30W  
Maximal power of MODUPAC « Chlorite » 3W  
Maximal number of module by supply: **10**

b) (Optional) Temperature sensor and chlorite cells connection.

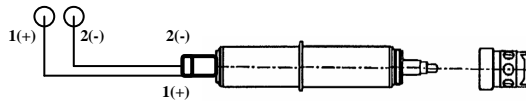


**Temperature nodes: 9 and 10**  
**Chlorite nodes: 1(+) and 2(-)**

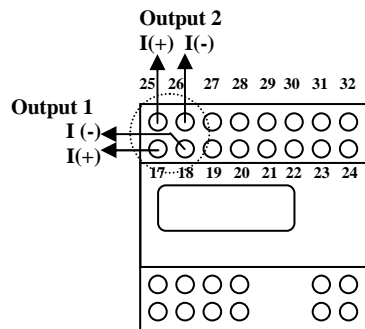
Temperature sensor connection : « pT100 » 2 wires



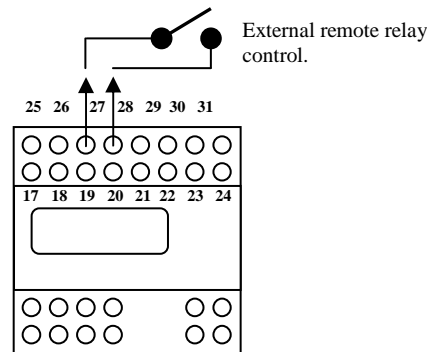
Chlorite probe connection (4...20mA): 2 wires



c) 0/4...20mA analogues outputs connection and.....

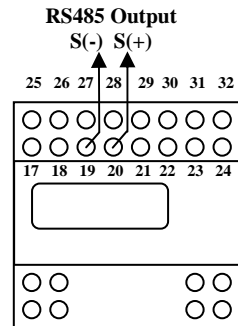


The remote control discrete input:

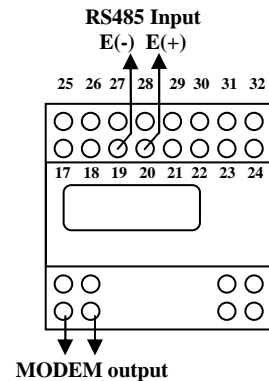


**Caution:** When the remote control is disabled (open circuit) both indicators blinks.

d) RS485 communication output connection with «COMT»module:

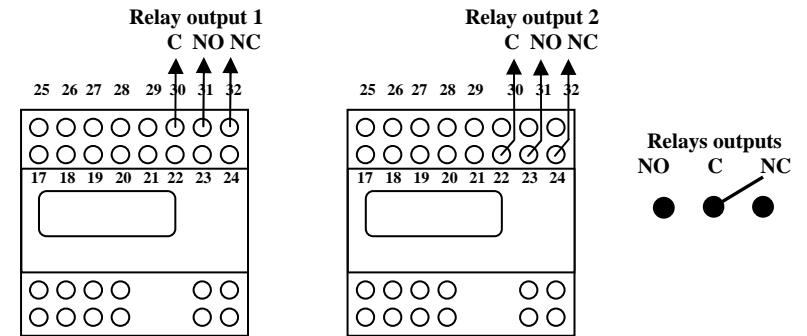


**MOD1140**



**MCT 000x**

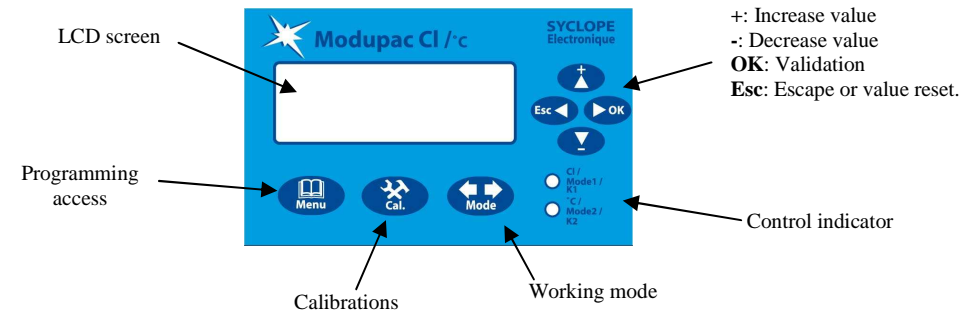
e) Relays outputs connection:



**Caution:** Relays outputs don't support more power.  
Maximal voltage on relay can't exceed 48 Volts (AC or DC)  
Maximal current can't exceed 1A.

## 2: Programming:

a) Module presentation:



b) Main functions

The MODUPAC « Chlorite » can be programmed to do following functions:

- ✓ Regulator, Analyser for Chlorite  
(According the probe type "Input 1: 4...20mA")
- ✓ Available in different measurement range versions: 0-0,5 ppm, 0-2 ppm
- ✓ Regulator, Analyser for temperature 0 to 100°C (Input 2: pt100).
- ✓ Chlorite and temperature with P, PI, PID and auto-adaptive regulation.
  - Proportional band : 1 to 100 %
  - Constant : 1 to 100 %
  - Integral time : 1 to 1000 s
  - Derived time : 1 to 1000 s
  - Dead band : 0 to 50 %
- ✓ Discrete mode regulation, width modulation, frequency modulation or 3 points regulation.
- ✓ Programmable alarm threshold high and low value, for each input.
- ✓ Remote discrete control input or pulsed frequency control.
- ✓ 2 relays outputs configurable in alarm or regulation.
- ✓ 2 0/4...20mA outputs configurable in regulation or data transfer (BMS).
- ✓ RS 485 communication output to save and transmit data with « COMT » module.